

Deltec Skimmer Dimension Sheet

This sheet has been produced to allow you to make simple decisions as to whether a particular model of skimmer will fit into your system before you buy it.

MODEL		A HEIGHT TO REMOVE CUP	B	C TOTAL HEIGHT	D FEED HEIGHT	E	F
MC 500	Fig. 3	540	n/a	396	n/a	85	230
MCE 300	Fig. 3	310	275	440	n/a	105	165
MCE 600	Fig. 3	285	285	425	n/a	90	205
APH 525	Fig. 2	252	276	528	290	270	200
AP 600	Fig. 2	252	326	578	312	270	200
APF 600	Fig. 2	290	310	590	340	290	210
AP 701	Fig. 2	321	272	593	280	385	272
AP 851	Fig. 2	300	463	763	444	385	320
AP 702	Fig. 1	300	297	597	236	480	425
AP 902	Fig. 1	387	580	967	569	580	355
AP 703	Fig. 1	385	295	680	236	495	495
AP 1003	Fig. 1	523	464	987	491	580	495
AP1004	Fig. 1	523	464	987	491	645	495
AP1006	Fig. 1	570	477	1047	491	790	655
TS1250	Fig. 4	175	n/a	360	n/a	262	130
TS1060	Fig. 4	190	n/a	410	n/a	326	180
TS1060S	Fig. 4	190	n/a	410	n/a	380	220

Fig. 1

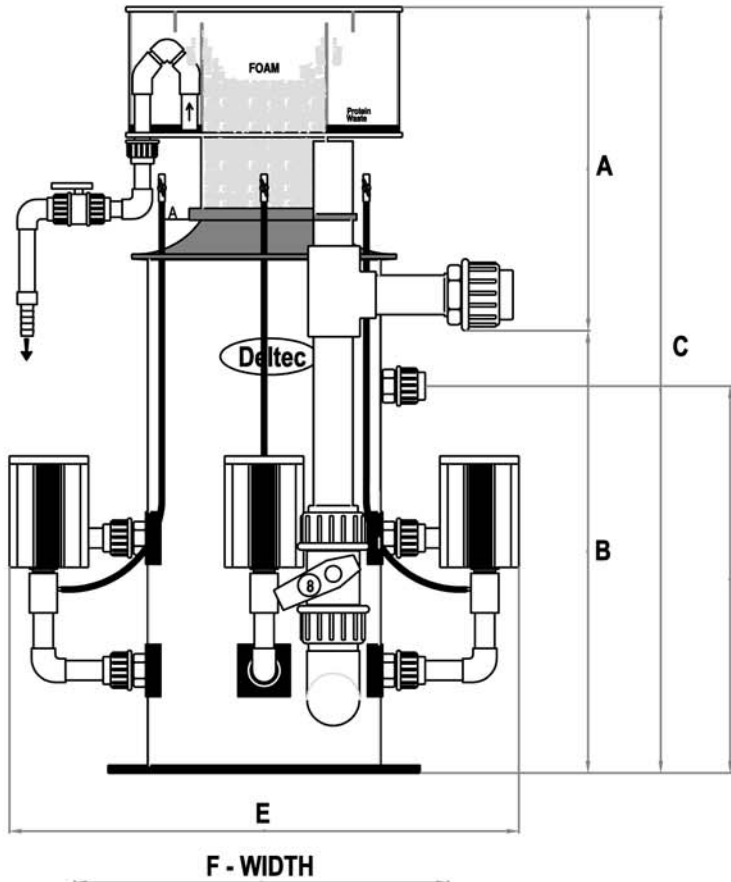


Fig. 2

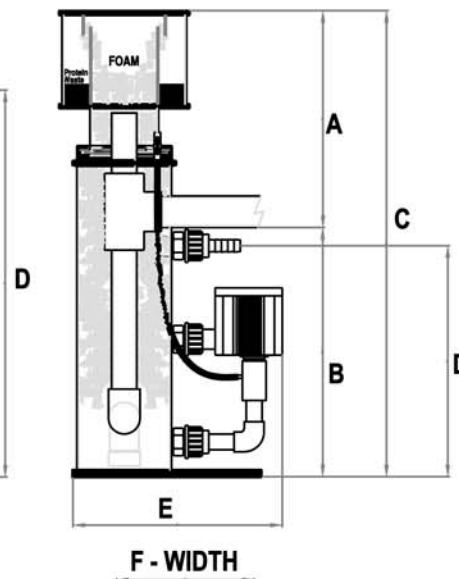


Fig. 3

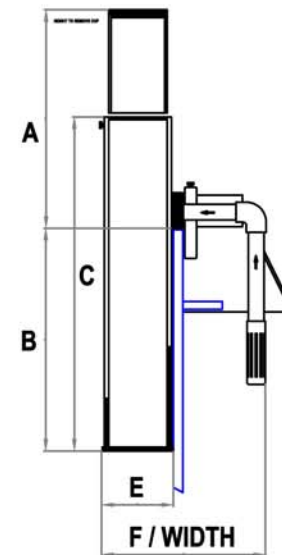


Fig. 4

