

UL 18 - 12

12V 18AH

STANDBY

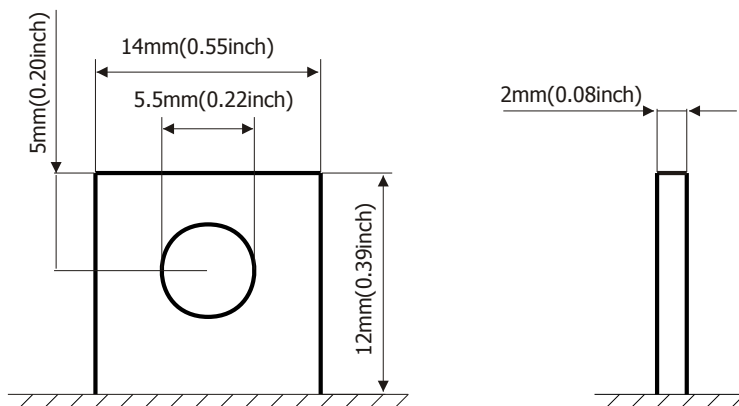
Ultracell®

'Quality in Every Language'

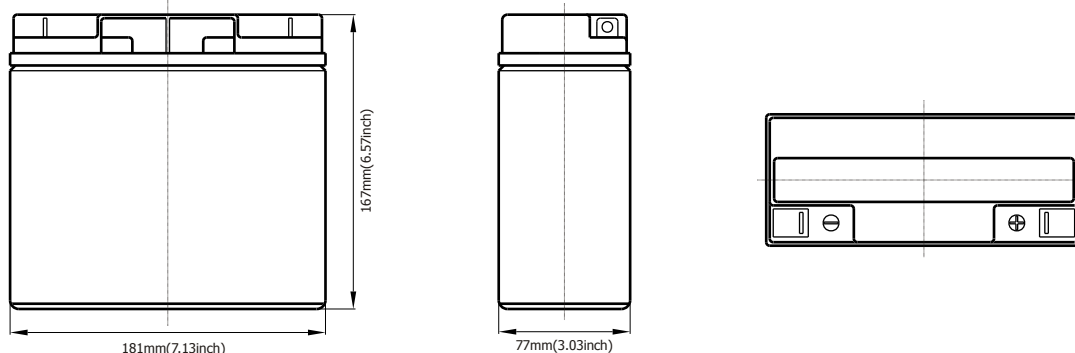
Image



Terminal Type



Dimensions



Specifications

| Battery Model | UL 18 - 12 | | | |
|----------------------------------|---|---------------------|----------------------|--------------------|
| Designed Floating Life | 5 Years | | | |
| Capacity (25°C) | 20HR (0.9A, 1.75V) | 10HR (1.71A, 1.75V) | 5HR (3.06A, 1.75V) | 1HR (10.8A, 1.55V) |
| | 18AH | 17.1AH | 15.3AH | 10.8AH |
| Dimensions | Length | Width | Height | Total Height |
| | 181mm | 77mm | 167mm | 167mm |
| Approx. Weight | 5.7Kg | | | |
| Internal Resistance | Fully Charged at 25°C 0.016 Ohm | | | |
| Self Discharge | 3% of capacity declined per month at 25°C | | | |
| Capacity Affected by Temperature | 40°C | 25°C | 0°C | -15°C |
| | 102% | 100% | 85% | 65% |
| Charge Voltage (25°C) | Cycle Use | | Float Use | |
| | 14.0-15.0V (-24mV/C), max. Current: 5.4A | | 13.6-13.8V (-18mV/C) | |

Construction

Component — Raw material
 Positive — Lead dioxide
 Negative — Lead
 Container — ABS (Flame Retardent optional)
 Cover — ABS (Flame Retardent optional)

Sealed and maintenance free option

Sealant — Epoxy Resin
 Safety Valve — EPDR
 Terminal — Copper
 Separator — Fibre Glass
 Electrolyte — Sulphuric acid

Non-spillable construction design



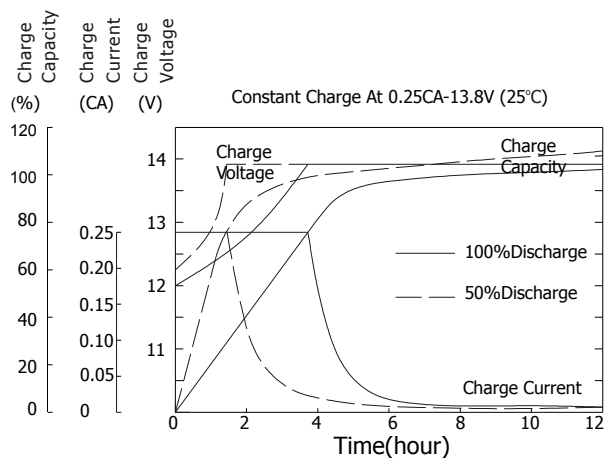
CE 1188



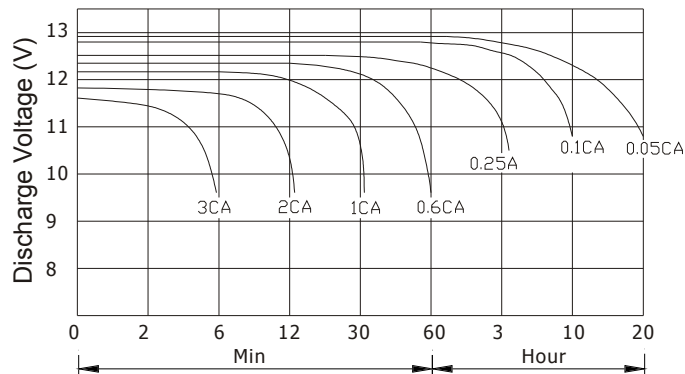
MH 29410

Tel | +44 (0) 151 523 2777
 Fax | +44 (0) 151 523 0855
 E-mail | info@ultracell.co.uk
 Web | www.ultracell.co.uk

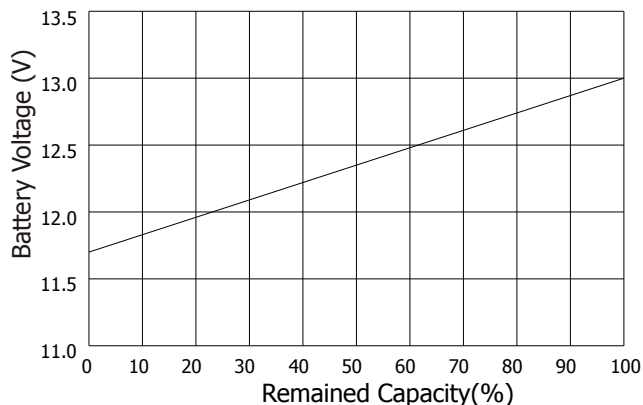
Charge Characteristic



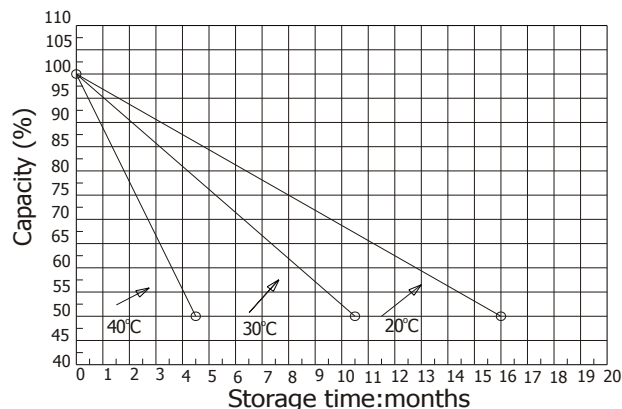
Discharge Characteristic 25°C



Relationship of OCV and state of charge



Self Discharge Characteristics



Constant Current Discharge Ratings - amperes at 25°C

| F.V / Time | 5 MIN | 10 MIN | 15 MIN | 30 MIN | 1 HR | 3 HR | 5 HR | 10 HR | 20 HR |
|------------|-------|--------|--------|--------|------|------|------|-------|-------|
| 1.60 V | 70.9 | 43.6 | 33.0 | 20.1 | 10.9 | 5.62 | 3.31 | 1.84 | 1.01 |
| 1.67 V | 65.9 | 41.8 | 32.0 | 19.3 | 10.7 | 4.75 | 3.24 | 1.80 | 0.97 |
| 1.70 V | 60.8 | 40.0 | 31.0 | 17.5 | 10.3 | 4.52 | 3.17 | 1.76 | 0.95 |
| 1.75 V | 60.1 | 38.9 | 30.0 | 16.7 | 10.1 | 4.39 | 3.08 | 1.73 | 0.94 |
| 1.80 V | 53.3 | 37.0 | 27.3 | 15.4 | 9.40 | 4.28 | 3.02 | 1.72 | 0.92 |
| 1.85 V | 47.2 | 35.2 | 24.4 | 14.1 | 9.11 | 4.21 | 3.00 | 1.33 | 0.92 |

Constant Power Discharge Ratings - watts at 25°C

| F.V / Time | 5 MIN | 10 MIN | 15 MIN | 30 MIN | 1 HR | 3 HR | 5 HR | 10 HR | 20 HR |
|------------|-------|--------|--------|--------|------|------|------|-------|-------|
| 1.60 V | 144.0 | 93.6 | 72.0 | 41.8 | 23.4 | 9.11 | 6.19 | 3.49 | 1.84 |
| 1.67 V | 139.3 | 91.4 | 71.0 | 41.0 | 23.1 | 9.07 | 6.17 | 3.48 | 1.84 |
| 1.70 V | 133.6 | 90.0 | 69.1 | 40.3 | 22.9 | 9.00 | 6.15 | 3.46 | 1.81 |
| 1.75 V | 125.6 | 86.4 | 67.0 | 39.2 | 22.5 | 8.93 | 6.12 | 3.46 | 1.81 |
| 1.80 V | 109.1 | 80.0 | 64.1 | 38.2 | 21.8 | 8.75 | 6.09 | 3.38 | 1.77 |
| 1.85 V | 103.0 | 74.2 | 61.2 | 36.4 | 21.3 | 8.60 | 5.98 | 3.38 | 1.77 |



CE 1188



MH 29410

Tel +44 (0) 151 523 2777
 Fax +44 (0) 151 523 0855
 E-mail info@ultracell.co.uk
 Web www.ultracell.co.uk